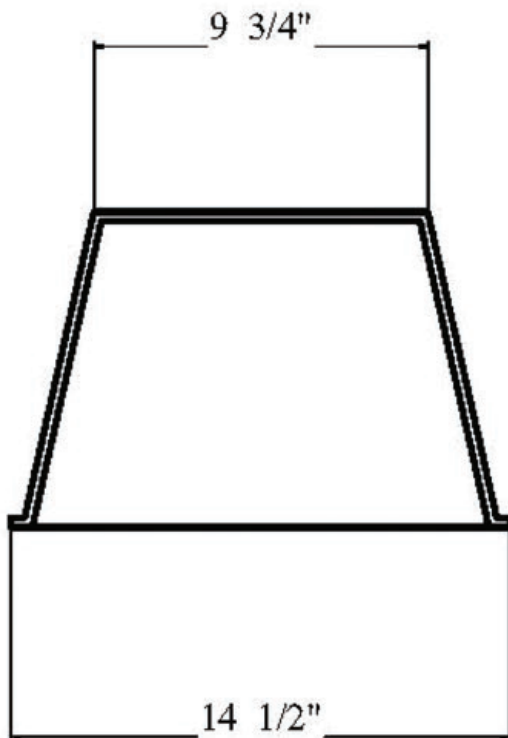
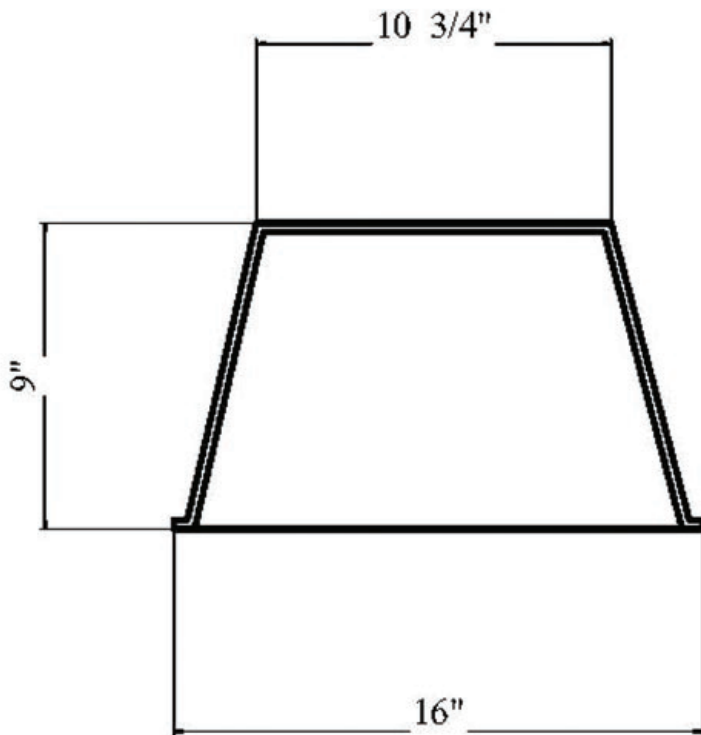


MODEL TC-130 Recessed Light Cover



Model Number	Outside Height	Outside Length	Outside Width
TC130	9"	16"	14 1/2"

Performance Data

For Use:

- Prevents insulation from coming in contact with recessed light fixtures.
- Can be used in conjunction with wide range of recessed lights.
- Compatible with sprayed foam insulation, low density foam, blown-in insulation and lay-in insulation.
- Suitable for attic spaces, ceiling spaces, insulated ceilings, and drop ceilings.
- Fire tested in accordance with IEC 60598-1.

General Information

Benefits:

- Fire Resistant.
- Energy Saving.
- Reduces draft problems.
- Prevents heat loss through the fixture.
- Reduces airflow from the outside.
- Added Flange for improved draftstopping capabilities.
- Enhances the acoustic protection of the ceiling.
- Prevents insects and other small animals from entering through the light.
- Lightweight (approx. 1 lbs.).
- Easy to fit without special tools.
- Thermally tested according to UL 1598 for usage with IC and Non-IC rated lights.
- Maintenance free.

Manufactured By

Commercial Thermal Solutions, Inc.

524 Brighton Ave, Suite 9
Spring Lake, NJ 07762

Sales and Technical Support:

Toll Free: 800.664.0063 • Fax: 877.415.1185

• International Phone: (001) 1 + 732.927.2090

• International Fax: (001) 1 + 732.927.2091