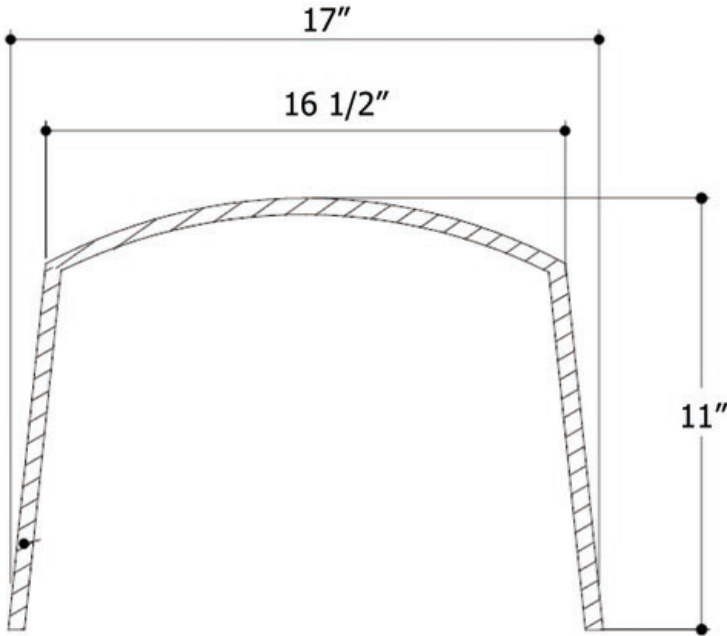
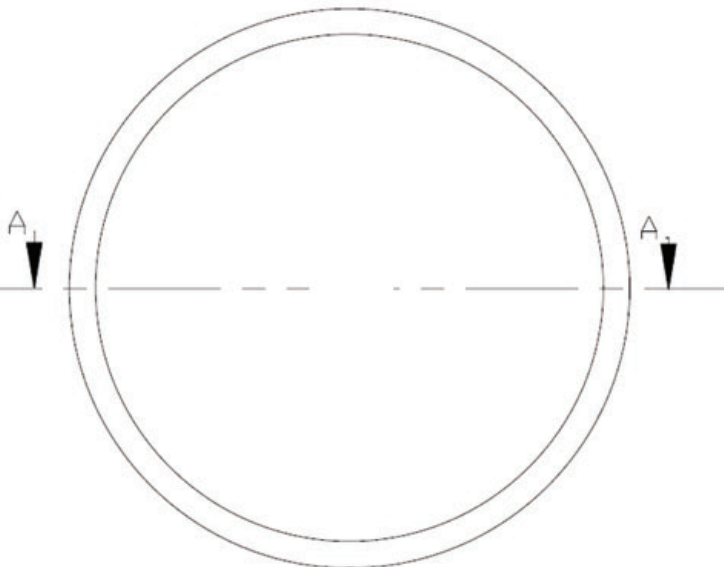


## MODELTC-135 Draft Stop Cover



FLEXIBLE TO FIT 16" ON CENTER JOISTS



Model Number	Inside Height	Inside Diameter
TC135	10 3/4"	16 1/2"

### Performance Data

#### For Use:

- Prevents insulation from coming in contact with recessed light fixtures.
- Can be used in conjunction with wide range of recessed lights.
- Compatible with sprayed foam insulation, low density foam, blown-in insulation and lay-in insulation.
- Suitable for attic spaces, ceiling spaces, insulated ceilings, and drop ceilings.
- Fire tested in accordance with IEC 60598-1.

### General Information

#### Benefits:

- Energy Saving.
- Reduces draft problems.
- Limits heat loss through the fixture.
- Reduces airflow from the outside.
- Easy to fit without special tools.
- Lightweight (approx. 2 lbs.).
- Enhances the acoustic protection of the ceiling.
- Prevents insects and other small animals from entering through the light.
- Flexible to fit 16" on center joists
- Maintenance free.
- Thermally tested according to UL 1598 for usage with IC and Non-IC rated lights.

### Manufactured By

#### Commercial Thermal Solutions, Inc.

524 Brighton Ave, Suite 9  
Spring Lake, NJ 07762

#### Sales and Technical Support:

Toll Free: 800.664.0063 • Fax: 877.415.1185

- International Phone: (001) 1+732.927.2090
- International Fax: (001) 1+732.927.2091