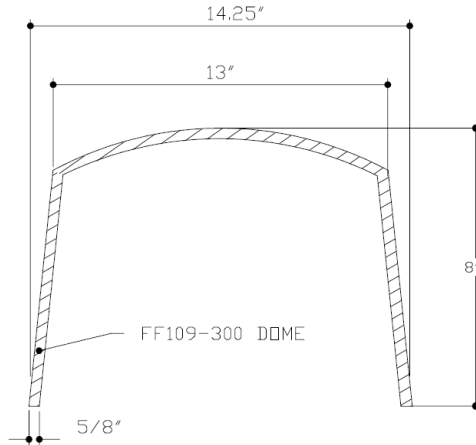


### Technical Product Specification



Model Number	Inside Height	Outside Diameter
FF109-300	7 3/8"	14 1/4"

### Performance Data

#### For Use:

- UL Classified to maintain the fire rating (1 hour) for the following fire-rated floor/ceiling assemblies: L500 series



CLASSIFIED FOR FIRE RESISTANCE  
FIRE RESISTANCE CLASSIFICATION  
SEE UL FIRE RESISTANCE DIRECTORY

### General Information

#### Benefits:

- 60 minute protection.
- Fits most popular IC rated fixtures.
- For use with recessed incandescent, fluorescent or LED light fixtures.
- Can be used in L500 floor/ceiling assemblies.
- Lightweight (approx. 1.5 lbs).
- Easy Installation - can be fitted in seconds - no screws, drilling or additional sealant required.
- Flexible material enables the cover to be fitted around obstacles or retro-fitted.
- Enhances the acoustic protection of the ceiling.
- Maintenance free.



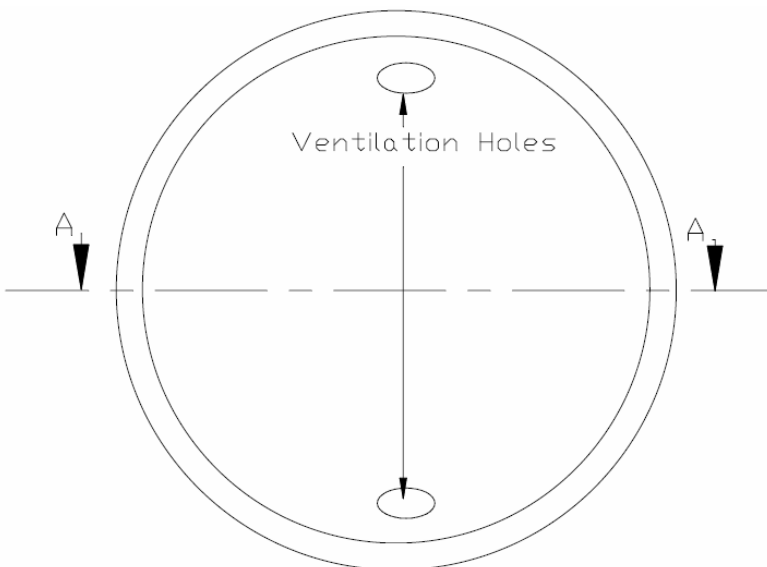
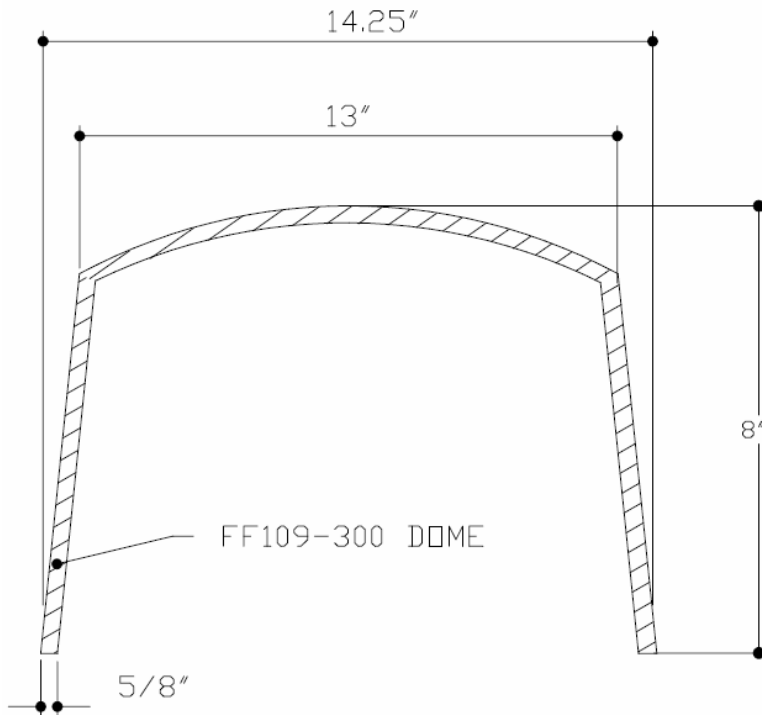
The FF109-300 UL Fire Rated cover is a dome-shaped cover which has been designed to help maintain the integrity of fire rated ceilings for one hour when using recessed light fixtures.

The unique design gives the architect, specifier and installer more freedom in fixture selection as the covers are suited to a wide range of recessed lights.



# Technical Product Specifications

## MODEL FF109-300



Model Number	Inside Height	Inside Diameter
FF109-300	7 3/8"	13"

### Performance Data

#### For Use:

- UL Classified to maintain the fire rating (1 hour) for the following fire-rated floor/ceiling assemblies:  
UL L500 series



CLASSIFIED FOR FIRE RESISTANCE  
FIRE RESISTANCE CLASSIFICATION  
SEE UL FIRE RESISTANCE DIRECTORY

### General Information

#### Benefits:

- 60 minute protection.
- Fits most popular IC rated fixtures.
- Can be used in L500 floor/ceiling assemblies.
- Lightweight (approx. 1.5 lbs).
- Easy Installation - can be fitted in seconds - no screws, drilling or additional sealant required.
- Flexible material enables cover to be fitted around obstacles or retro-fitted.
- Enhances the acoustic protection of the ceiling.
- Reduces heat loss through the fixture.
- Significant energy cost savings.
- Maintenance free.

### Manufactured By

#### Tenmat Inc

23 Copper Drive

Newport, DE 19804

Phone: (302) 633-6600

Fax: (302) 633-6838

Email: [info@tenmatusa.com](mailto:info@tenmatusa.com)

[www.tenmatusa.com](http://www.tenmatusa.com)



## CDHW.R25019 Luminaires, Luminaire Assemblies and Luminaire Enclosures Certified for Fire Resistance

[Page Bottom](#)

### Luminaires, Luminaire Assemblies and Luminaire Enclosures Certified for Fire Resistance

[See General Information for Luminaires, Luminaire Assemblies and Luminaire Enclosures Certified for Fire Resistance](#)

#### TENMAT INC

R25019

UNIT 3

23 COPPER DR

NEWPORT, DE 19804 USA

Type FF109 Fire Rated Recessed Light Cover luminaire enclosure for use over UL Listed IC-rated recessed incandescent, fluorescent or LED luminaires with housing 6-7/8 in. max. diam, 6-7/8 in. max. height (as measured from top of base), made from aluminum or painted or galv steel. Luminaires supported on a base 7-7/8 in. by 10-3/4 in. max., made from painted or galv steel and screw-attached to the fixture with min. three screws. Each luminaire with trim and lens weighs 3.8 lb max. Luminaire enclosure and luminaire installed in accordance with the accompanying instructions. Luminaire enclosure and luminaire for use in 1 hr fire rated L500-Series Floor-Ceiling designs having solid wood joists or open-web wood trusses on max 16 in. centers, wood flooring and a min 1/2 in. thick gypsum board ceiling. Number of luminaires not to exceed the ratio of one per 25 sq ft of total ceiling area with min separation of 3 ft between luminaires.

Type FF109X Fire Rated Recessed Light Cover luminaire enclosure for use over UL Listed IC-rated recessed incandescent, fluorescent or LED luminaires with housing 6-1/2 in. max. diam, 7 in. max. height (as measured from top of base), made from aluminum or painted or galv steel. Luminaires supported on a base 7-1/2 in. by 10 in. max., made from painted or galv steel and screw-attached to the fixture. Each luminaire with trim and lens weighs 3.8 lb max. Luminaire enclosure and luminaire installed in accordance with the accompanying instructions. Luminaire enclosure and luminaire for use in maximum 2 hr fire rated D500-, G500- and L500-Series Floor-Ceiling designs and in maximum 1 hr fire rated P500-Series Roof-Ceiling designs. Number of luminaires not to exceed the ratio one per 25 sq ft of total ceiling area with min separation of 3 ft between luminaires. Luminaire enclosure and luminaire for use in maximum 2 hr fire rated D200-, G200-, J200- and L200-Series Floor-Ceiling designs and in maximum 1 hr fire rated P200-Series Roof-Ceiling designs with nominal 24 by 24 in. or 24 by 48 in. acoustical lay-in ceiling panels. Number of luminaires not to exceed the ratio of one per 25 sq ft of total ceiling area with min separation of 4 ft between luminaires.

Type FF130 Series Fire Rated Troffer Cover luminaire enclosure for use as an alternate Fixture Protection for UL Listed fluorescent recessed troffer light fixtures with steel housings in the following Designs for 1 hr max ratings: [D216](#), [D219](#), [G205](#), [G208](#), [G218](#), [G252](#), [G255](#), [G256](#), [G262](#), [G264](#), [J201](#), [J202](#), [L006](#), [L201](#), [L202](#), [L206](#), [L209](#), [L210](#), [P202](#), [P204](#), [P206](#), [P207](#), [P210](#), [P211](#), [P213](#), [P214](#), [P216](#), [P225](#), [P227](#), [P228](#), [P229](#), [P230](#), [P231](#), [P235](#), [P238](#), [P242](#), [P246](#), [P250](#), [P251](#), [P254](#), [P255](#), [P259](#), [P260](#), [P261](#), [P264](#), [P265](#), [P267](#), [P268](#), [P269](#). The recessed light fixture installation method and spacing requirements shall be as specified in the individual Design. Enclosure shall be installed in accordance with the accompanying instructions. A 1/2 in. clearance shall be maintained between the top, sides and ends of the fixture and the enclosure. For nominal 2 by 2 ft fixtures, a nominal 4 in. by 4 in. piece of mineral wool batt or acoustical material shall be placed on top of the fixture prior to installation. For nominal 2 by 4 ft fixtures, two pieces shall be used, one on top of each end. The height of the fixture housing shall be limited such that it will not cause the bottom of the cover to lose contact with the ceiling tiles. End-to-end or side-by-side installation of fixtures has not been investigated. Type FF130-2'x2' and Type FF130-2'x4' enclosures for use with nominal 2 by 2 ft and 2 by 4 ft recessed light fixtures, respectively. Type FF130-600x600mm and Type FF130-600x1200mm enclosures for use with nominal 600 by 600 mm and 600 by 1200 mm recessed light fixtures, respectively.

[Last Updated](#) on 2015-07-09

[Questions?](#)

[Print this page](#)

[Terms of Use](#)

[Page Top](#)

© 2015 UL LLC

The appearance of a company's name or product in this database does not in itself assure that products so identified have been manufactured under UL's Follow-Up Service. Only those products bearing the UL Mark should be considered to be Certified and covered under UL's Follow-Up Service. Always look for the Mark on the product.

UL permits the reproduction of the material contained in the Online Certification Directory subject to the following conditions: 1. The Guide Information, Assemblies, Constructions, Designs, Systems, and/or Certifications (files) must be presented in their entirety and in a non-misleading manner, without any manipulation of the data (or drawings). 2. The statement "Reprinted from the Online Certifications Directory with permission from UL" must appear adjacent to the extracted material. In addition, the reprinted material must include a copyright notice in the following format: "© 2015 UL LLC".



## CDHW7.R25019 Luminaires, Luminaire Assemblies and Luminaire Enclosures Certified for Fire Resistance Certified for Canada

[Page Bottom](#)

### Luminaires, Luminaire Assemblies and Luminaire Enclosures Certified for Fire Resistance Certified for Canada

[See General Information for Luminaires, Luminaire Assemblies and Luminaire Enclosures Certified for Fire Resistance Certified for Canada](#)**TENMAT INC**

R25019

UNIT 3

23 COPPER DR

NEWPORT, DE 19804 USA

Type FF109 Fire Rated Recessed Light Cover luminaire enclosure for use over UL Listed IC-rated recessed incandescent, fluorescent or LED luminaires with housing 6-7/8 in. max. diam, 6-7/8 in. max. height (as measured from top of base), made from aluminum or painted or galv steel. Luminaires supported on a base 7-7/8 in. by 10-3/4 in. max., made from painted or galv steel and screw-attached to the fixture with min. three screws. Each luminaire with trim and lens weighs 3.8 lb max. Luminaire enclosure and luminaire installed in accordance with the accompanying instructions. Luminaire enclosure and luminaire for use in 1 hr fire rated L500-Series Floor-Ceiling designs having solid wood joists or open-web wood trusses on max 16 in. centers, wood flooring and a min 1/2 in. thick gypsum board ceiling. Number of luminaires not to exceed the ratio of one per 25 sq ft of total ceiling area with min separation of 3 ft between luminaires.

Type FF109X Fire Rated Recessed Light Cover luminaire enclosure for use over UL Listed IC-rated recessed incandescent, fluorescent or LED luminaires with housing 6-1/2 in. max. diam, 7 in. max. height (as measured from top of base), made from aluminum or painted or galv steel. Luminaires supported on a base 7-1/2 in. by 10 in. max., made from painted or galv steel and screw-attached to the fixture. Each luminaire with trim and lens weighs 3.8 lb max. Luminaire enclosure and luminaire installed in accordance with the accompanying instructions. Luminaire enclosure and luminaire for use in maximum 2 hr fire rated D500-, G500- and L500-Series Floor-Ceiling designs and in maximum 1 hr fire rated P500-Series Roof-Ceiling designs. Number of luminaires not to exceed the ratio one per 25 sq ft of total ceiling area with min separation of 3 ft between luminaires. Luminaire enclosure and luminaire for use in maximum 2 hr fire rated D200-, G200-, J200- and L200-Series Floor-Ceiling designs and in maximum 1 hr fire rated P200-Series Roof-Ceiling designs with nominal 24 by 24 in. or 24 by 48 in. acoustical lay-in ceiling panels. Number of luminaires not to exceed the ratio of one per 25 sq ft of total ceiling area with min separation of 4 ft between luminaires.

Type FF130 Series Fire Rated Troffer Cover luminaire enclosure for use as an alternate Fixture Protection for UL Listed fluorescent recessed troffer light fixtures with steel housings in the following Designs for 1 hr max ratings: [D216](#), [D219](#), [G205](#), [G208](#), [G218](#), [G252](#), [G255](#), [G256](#), [G262](#), [G264](#), [J201](#), [J202](#), [L006](#), [L201](#), [L202](#), [L206](#), [L209](#), [L210](#), [P202](#), [P204](#), [P206](#), [P207](#), [P210](#), [P211](#), [P213](#), [P214](#), [P216](#), [P225](#), [P227](#), [P228](#), [P229](#), [P230](#), [P231](#), [P235](#), [P238](#), [P242](#), [P246](#), [P250](#), [P251](#), [P254](#), [P255](#), [P259](#), [P260](#), [P261](#), [P264](#), [P265](#), [P267](#), [P268](#), [P269](#). The recessed light fixture installation method and spacing requirements shall be as specified in the individual Design. Enclosure shall be installed in accordance with the accompanying instructions. For nominal 2 by 2 ft fixtures, a nominal 4 in. by 4 in. piece of mineral wool batt or acoustical material shall be used to maintain at least 1/2 in. clearance between the top of the fixture and the enclosure. For nominal 2 by 4 ft fixtures, two pieces shall be used, one on each end. Clearance between sides and ends of fixture and enclosure shall be min. 1/2 in. End-to-end or side-by-side installation of fixtures has not been investigated. Type FF130-2'x2' and Type FF130-2'x4' enclosures for use with nominal 2 by 2 ft and 2 by 4 ft recessed light fixtures, respectively. Type FF130-600x600mm and Type FF130-600x1200mm enclosures for use with nominal 600 by 600 mm and 600 by 1200 mm recessed light fixtures, respectively.

[Last Updated](#) on 2015-07-22[Questions?](#)[Print this page](#)[Terms of Use](#)[Page Top](#)

© 2015 UL LLC

The appearance of a company's name or product in this database does not in itself assure that products so identified have been manufactured under UL's Follow-Up Service. Only those products bearing the UL Mark should be considered to be Certified and covered under UL's Follow-Up Service. Always look for the Mark on the product.

UL permits the reproduction of the material contained in the Online Certification Directory subject to the following conditions: 1. The Guide Information, Assemblies, Constructions, Designs, Systems, and/or Certifications (files) must be presented in their entirety and in a non-misleading manner, without any manipulation of the data (or drawings). 2. The statement "Reprinted from the Online Certifications Directory with permission from UL" must appear adjacent to the extracted material. In addition, the reprinted material must include a copyright notice in the following format: "© 2015 UL LLC".